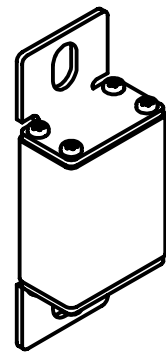
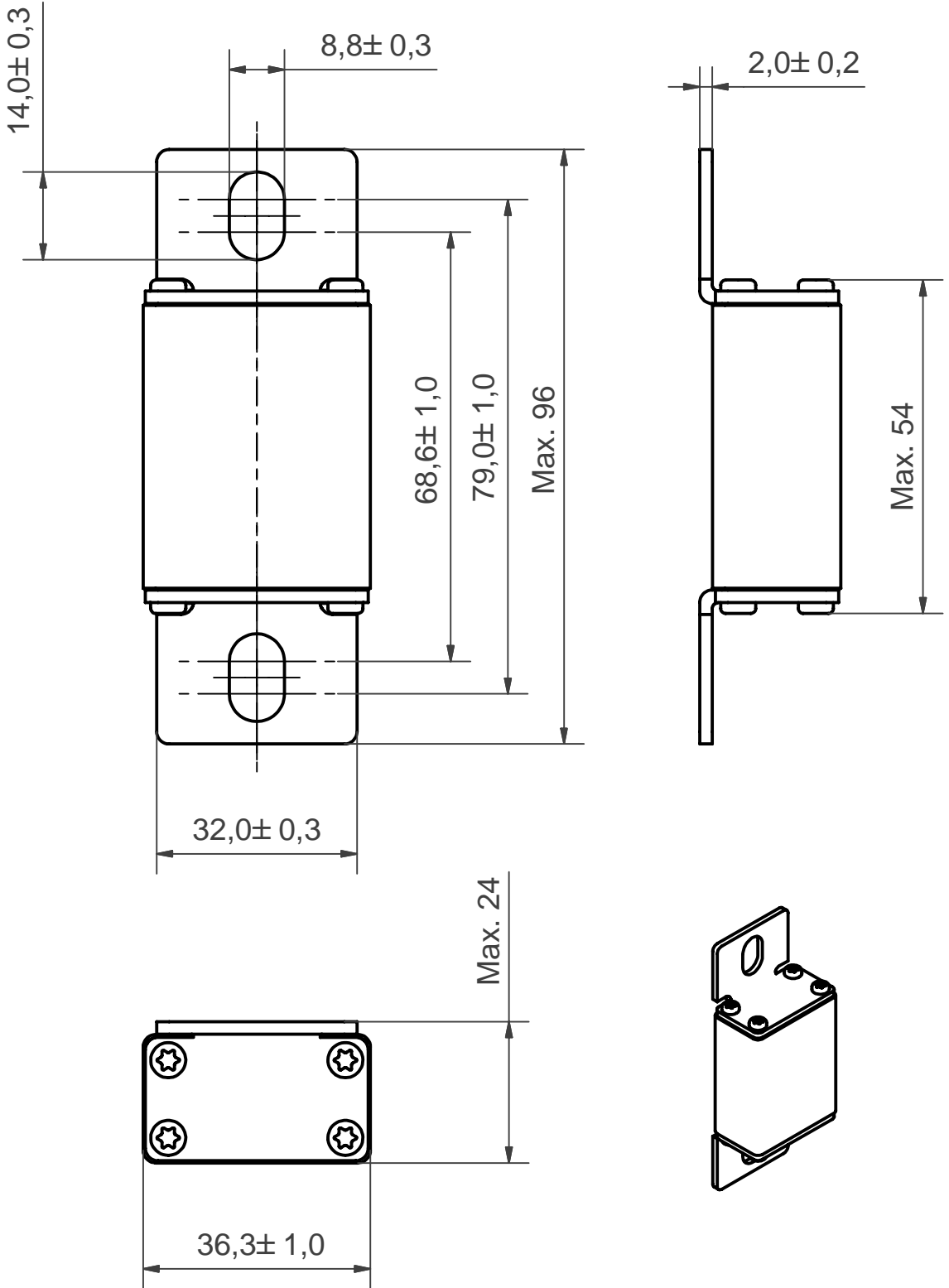




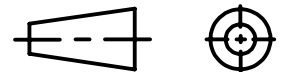
|   |  |
|---|--|
| r |  |
| n |  |
| m |  |
| k |  |
| i |  |

|   |  |
|---|--|
| h |  |
| g |  |
| f |  |
| e |  |
| d |  |

|            |      |
|------------|------|
| c          |      |
| b          |      |
| a          | 0243 |
| Correction | 0220 |
| Date:      | JM   |
| Dwg. by    | TJ   |
| Control by |      |



European projection



**Cooper Bussmann**

Literbuen 5, DK-2740 Skovlunde  
Phone: +45 4485 0919 fax: +45 4485 0906

This is the property of  
Cooper Industries Inc.

High Speed Fuse  
Type 000FU/70  
Dimension Sketch

Scale 1 : 1

**170X0733-01U**